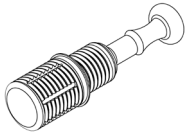




BEST CRAFT ORGANIZER

BAR HEIGHT STORAGE CABINET - TRIPLE



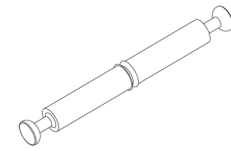
Quick-Fit Dowel (20)



Wood Dowel (24)



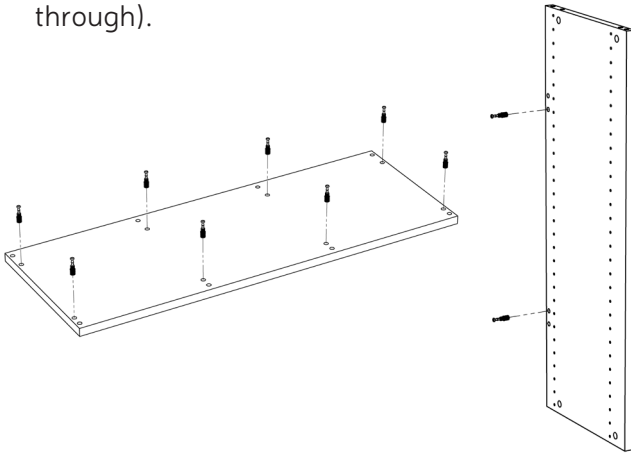
Cam Locks (28)



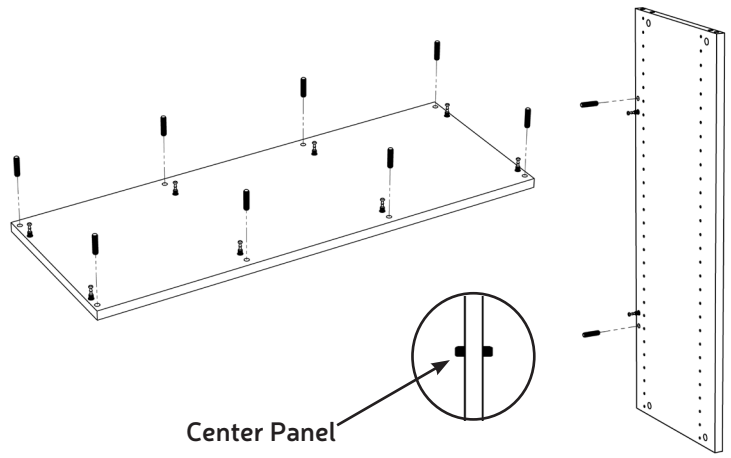
Long Connector Bolt (4)

You will need: Phillips Screwdriver

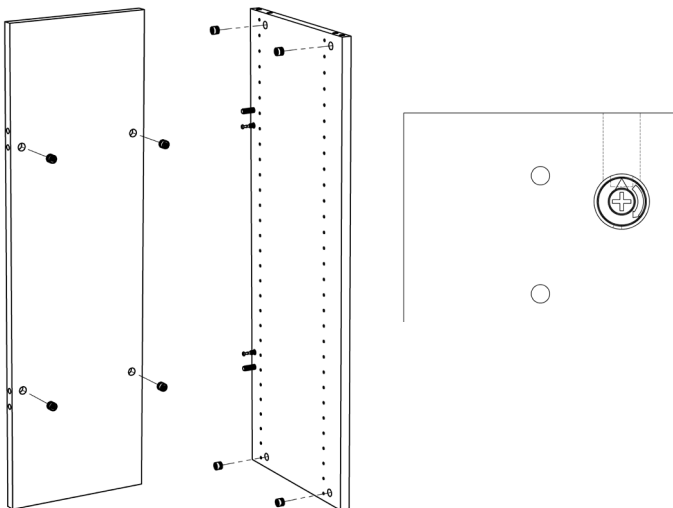
- 1.) Insert the Quick-Fit Dowels into the inside holes shown on the top, bottom (with small pilot holes), and side panels. NOTE: Do NOT install Quick-Fit Dowels in center panels (holes drilled all the way through).



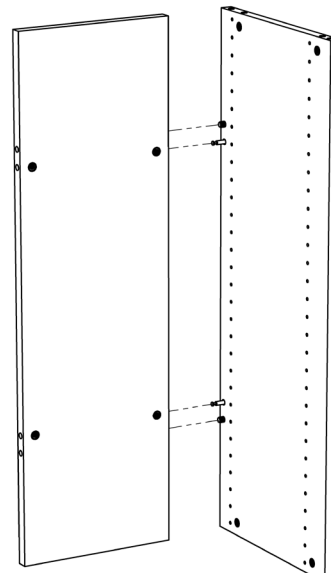
- 2.) Insert the Wood Dowels into the outside holes shown on the top, bottom, side, and center panels. For the center panels: Push the dowel through the hole so that the same amount extends on both sides.



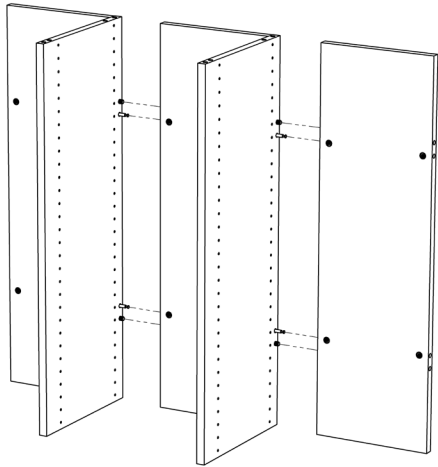
- 3.) Insert the cam locks into the larger holes on the back, side, and center panels. Make sure the arrow on the cam lock is pointing towards pre-drilled hole in edge of panel.



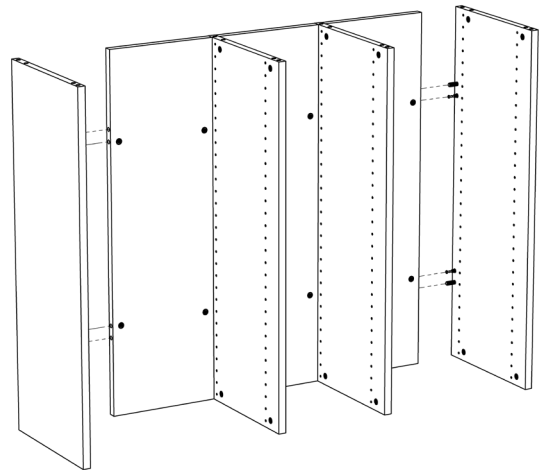
- 4.) Lay one of the back panels on the floor with the Cam Locks facing up. Insert the Long Connector Bolts. Slide center panel over Long Connector Bolts.



- 5.) Slide another back panel over the exposed ends of the Long Connector Bolts. Tighten all four Cam Locks by turning clockwise. Repeat this step with the remaining center and back panels.

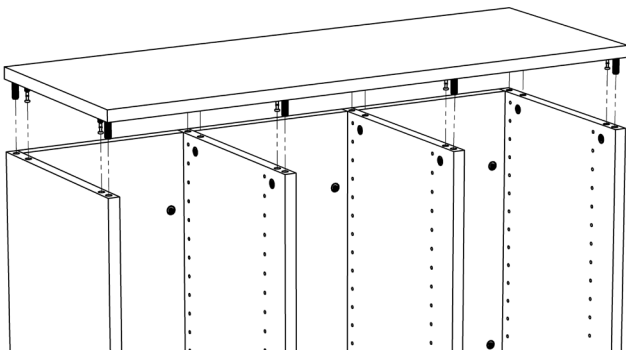


- 6.) Attach both side panels to this assembly by sliding the Quick-Fit Dowels into the pre-drilled holes on the edge of the back panels. Tighten the Cam Locks by turning clockwise.

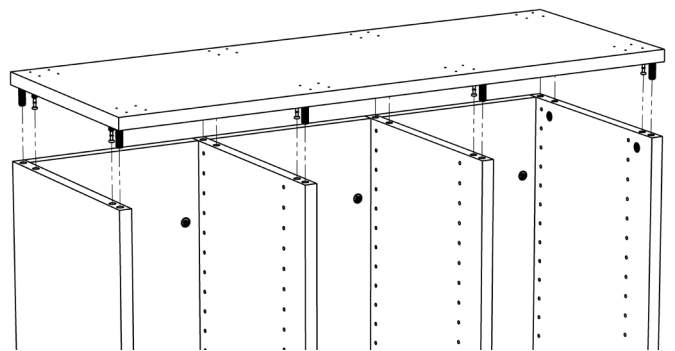


NOTE: If you purchased a Triple Extra Large Cabinet, stop here and follow the instructions included with your Add-On Kit.

- 7.) Attach the top panel, tightening the cam locks in the same manner.



- 8.) Flip the cabinet over and attach the bottom panel.



- 9.) Skip this step if you did not purchase casters. Attach optional casters using the pre-drilled holes. Be sure to lock casters before flipping cabinet back over.



COMPLETED CABINET

Please note: Drawer Rails are not required for the bottom drawer.

