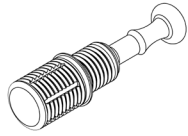
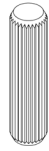




## BEST CRAFT ORGANIZER CUBE FOR BEAD STORAGE SOLUTIONS



Quick-Fit Dowel (8)



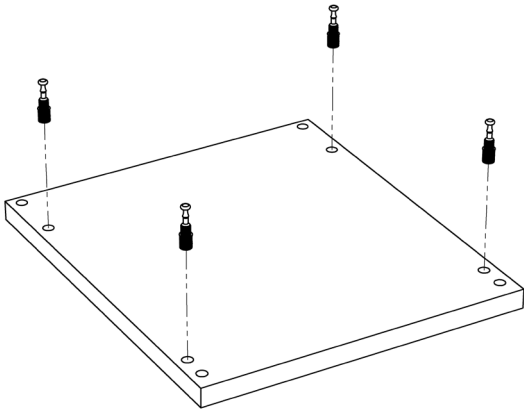
Wood Dowel (8)



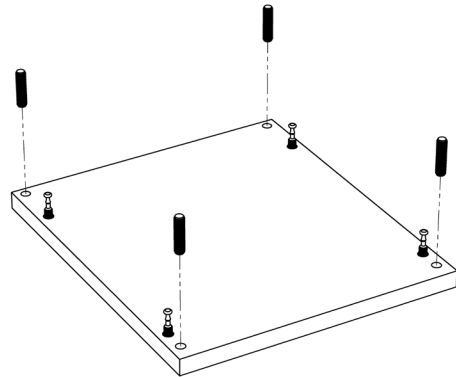
Cam Locks (8)

You will need: Phillips Screwdriver

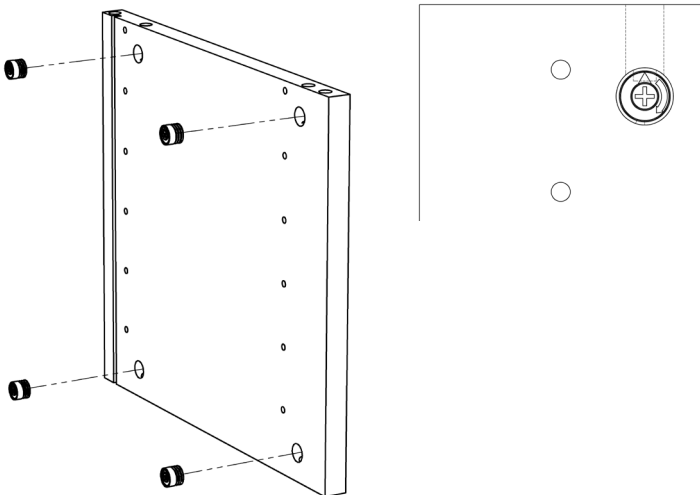
- 1.) Insert the Quick-Fit Dowels into the inside holes shown on the top and bottom panels.



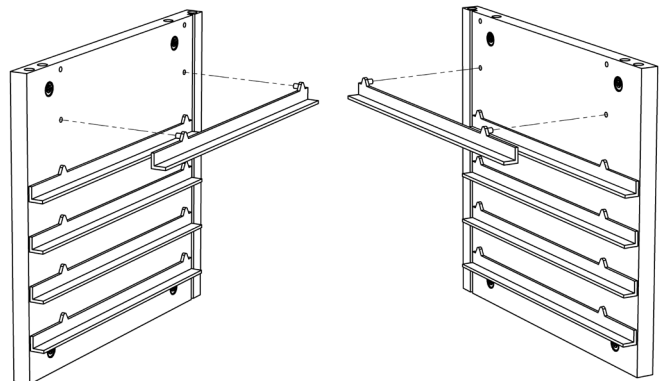
- 2.) Insert the Wood Dowels into the outside holes shown on the top and bottom.



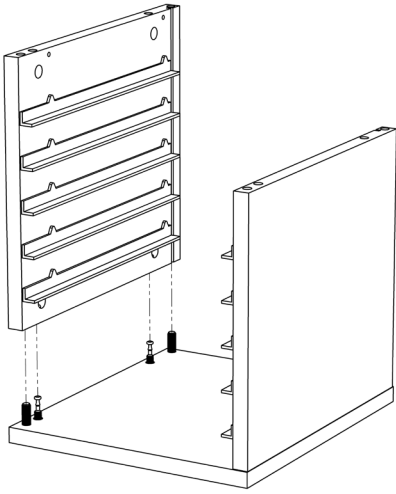
- 3.) Insert the Cam Locks into the holes on the side panels. Make sure the arrow on the Cam Lock is pointing towards pre-drilled hole in edge of panel.



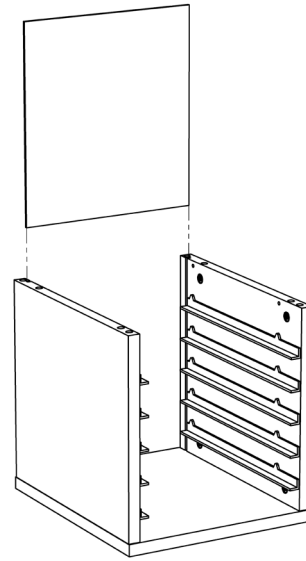
- 4.) Attach Rails to left and right side panels, but save the top Rail for a later step.



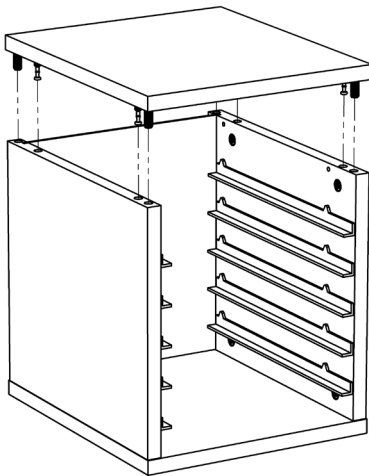
**5.)** Attach both side panels to the bottom panel by sliding the Quick-Fit Dowels into the pre-drilled holes on the edge of the side panel. Tighten the Cam Locks by turning clock wise.



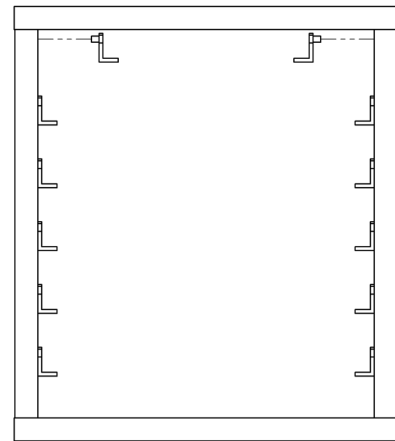
**6.)** Slide the back panel into slots shown.



**7.)** Attach the top panel.



**8.)** Attach the final set of rails to the sides in the top holes.



**COMPLETED CUBE**

