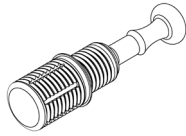


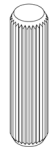


BEST CRAFT ORGANIZER

DESK HEIGHT STORAGE CABINET - DOUBLE



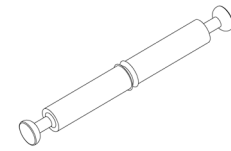
Quick-Fit Dowel (16)



Wood Dowel (18)



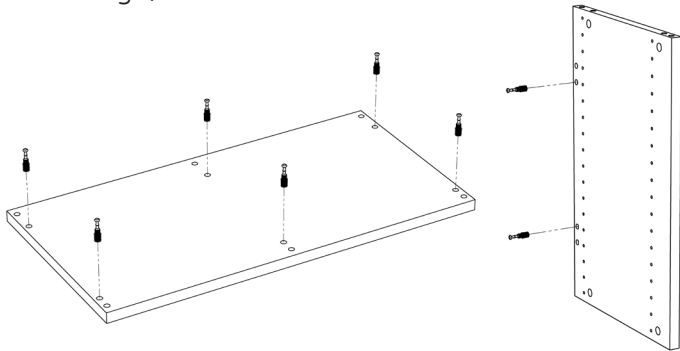
Cam Locks (20)



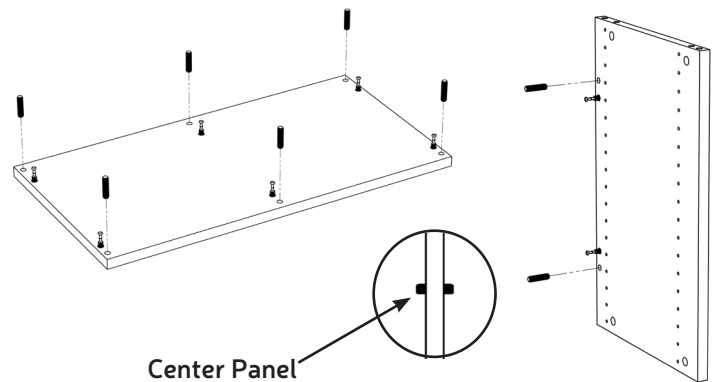
Long Connector Bolt (2)

You will need: Phillips Screwdriver

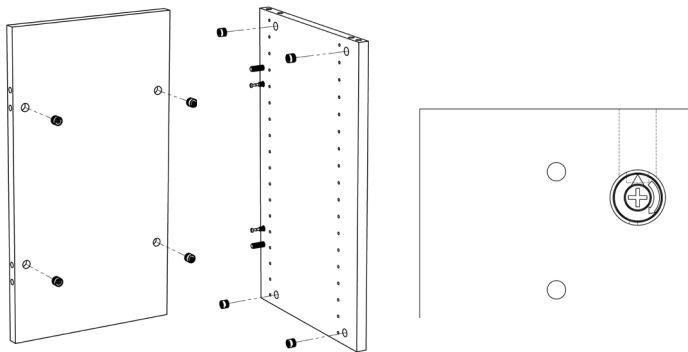
- 1.) Insert the Quick-Fit Dowels into the inside holes shown on the top, bottom (with small pilot holes), and side panels. NOTE: Do NOT install Quick-Fit Dowels to the center panel (holes drilled all the way through).



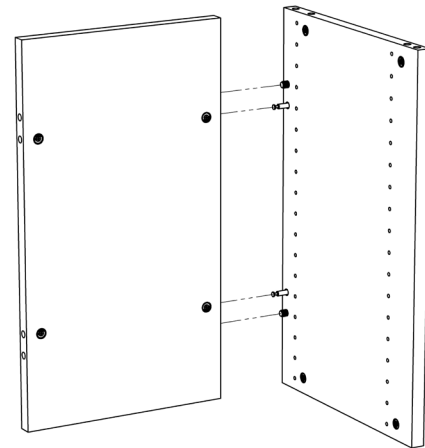
- 2.) Insert the Wood Dowels into the outside holes shown on the top, bottom, side, and center panels. For the center panels: Push the dowel through the hole so that the same amount extends on both sides.



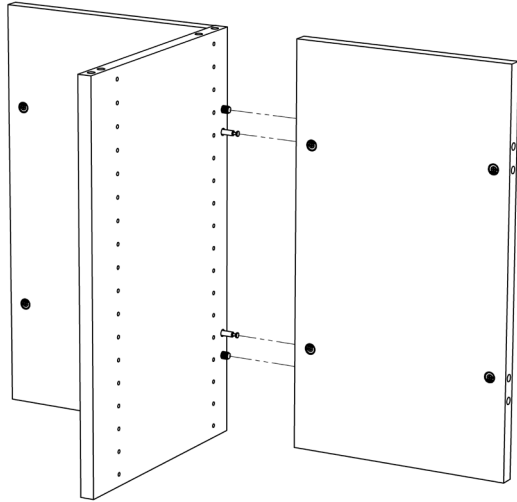
- 3.) Insert the Cam Locks into the larger holes on the back, side, and center panels. Make sure the arrow on the Cam Lock is pointing towards pre-drilled hole in edge of panel.



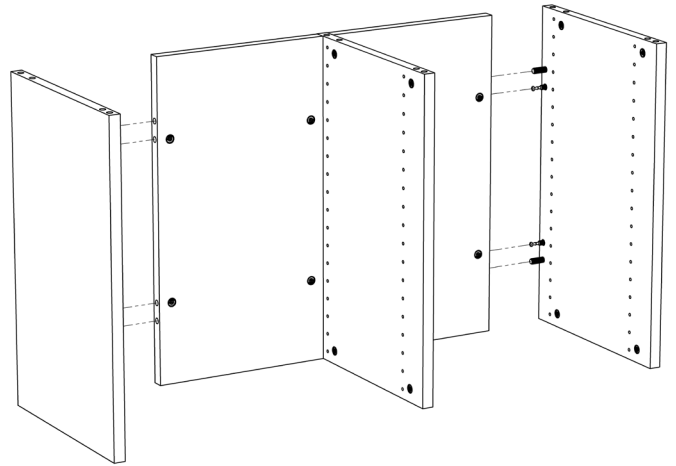
- 4.) Lay one of the back panels on the floor with the Cam Locks facing up. Insert the Long Connector Bolts. Slide center panel over Long Connector Bolts.



- 5.) Slide the other back panel over the exposed ends of the Long Connector Bolts. Tighten all four Cam Locks by turning clockwise.

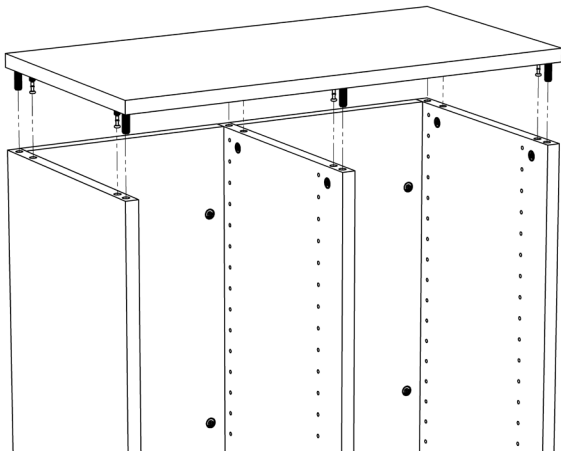


- 6.) Attach both side panels to this assembly by sliding the Quick-Fit Dowels into the pre-drilled holes on the edge of the back panel. Tighten the Cam Locks by turning clockwise.

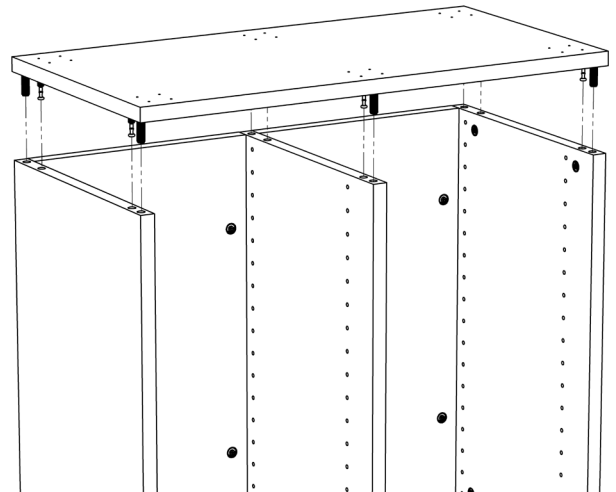


NOTE: If you purchased a Double Large Cabinet, stop here and follow the instructions included with your Add-On Kit.

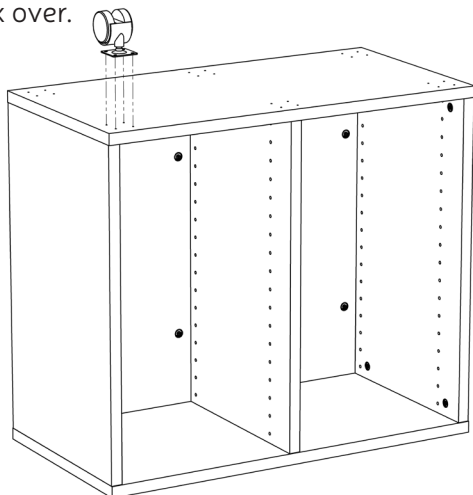
- 7.) Attach the top panel, tightening the Cam Locks in the same manner.



- 8.) Flip the cabinet over and attach the bottom panel.



- 9.) Skip this step if you did not purchase casters. Attach optional casters using the pre-drilled holes. Be sure to lock Casters before flipping cabinet back over.



COMPLETED CABINET

Please note: Drawer Rails are not required for the bottom drawer.

