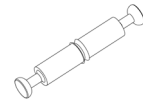
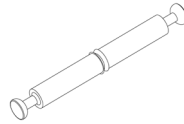




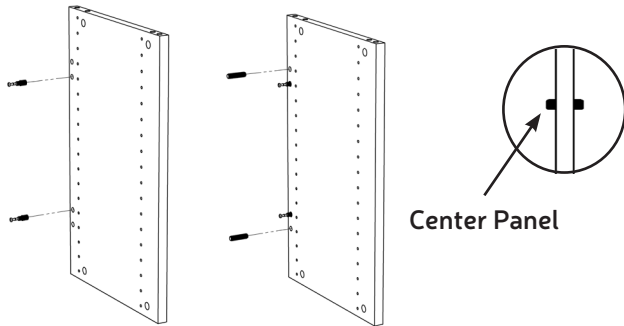
## BEST CRAFT ORGANIZER

### DOUBLE ADD-ON STORAGE CABINET



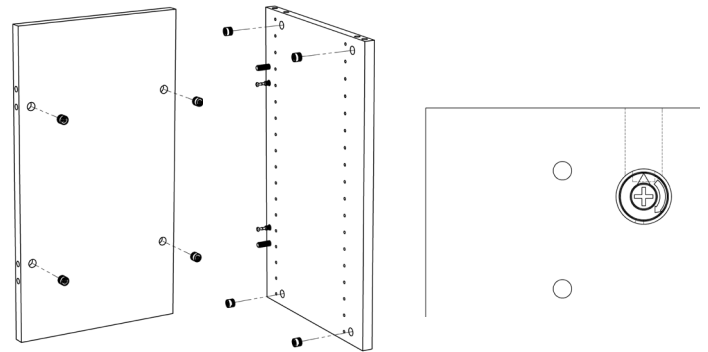
Quick-Fit Dowel (4) Wood Dowel (12) Cam Locks (20) Long Connector Bolt (2) Short Connector Bolt (6)  
You will need: Phillips Screwdriver

- 1.) Insert the Quick-Fit Dowels into the inside holes shown on the side panels. NOTE: Do NOT install Quick-Fit Dowels in center panel (holes drilled all the way through). Next insert the Wood Dowels into the outside holes of the side and center panels.

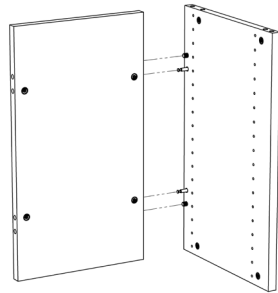


Center Panel

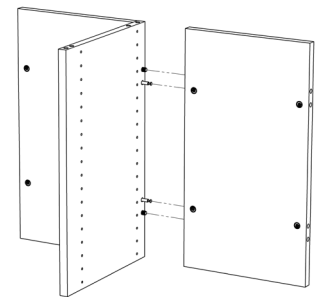
- 2.) Insert the cam locks into the larger holes on the back, side, and center panels. Make sure the arrow on the cam lock is pointing towards pre-drilled hole in edge of panel.



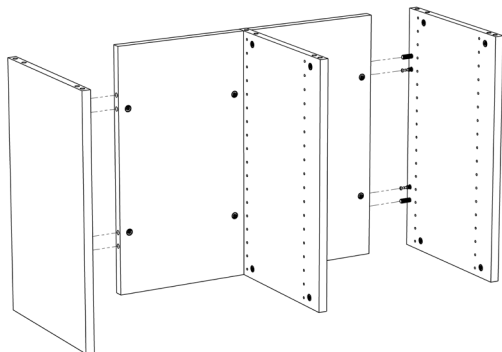
- 3.) Lay one of the back panels on the floor with the Cam Locks facing up. Insert the Long Connector Bolts. Slide center panel over Long Connector Bolts.



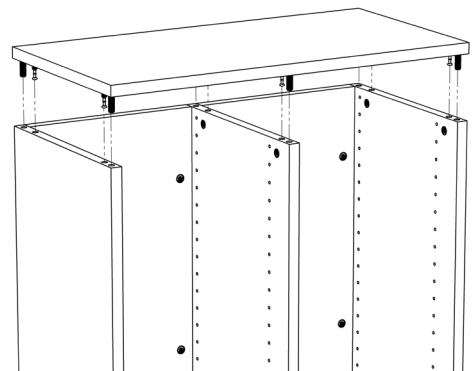
- 4.) Slide the other back panel over the exposed ends of the Long Connector Bolts. Tighten all four Cam Locks by turning clockwise.



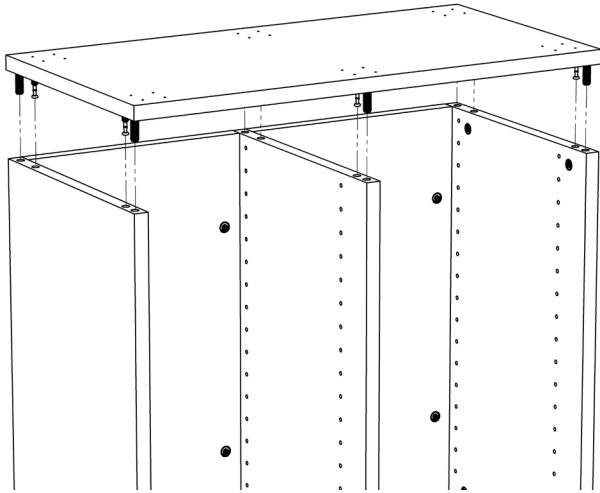
- 5.) Attach both side panels to this assembly by sliding the Quick-Fit Dowels into the pre-drilled holes on the edge of the back panel. Tighten the cam locks by turning clockwise.



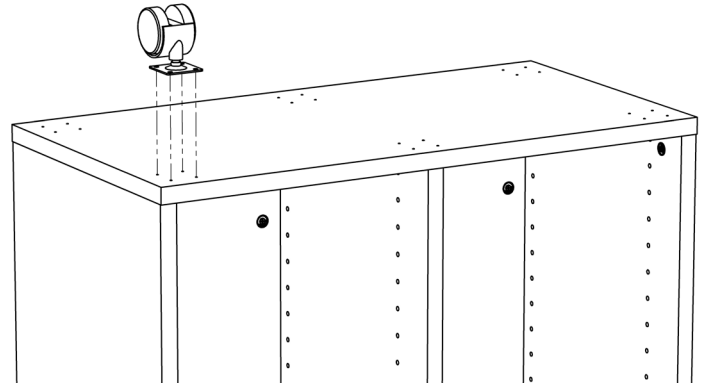
- 6.) Attach the top panel from your main Double Cabinet kit, tightening the cam locks in the same manner.



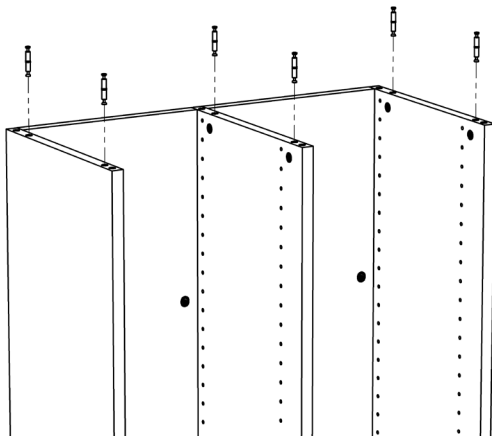
- 7.) Returning to the assembly from your Double Cabinet kit, attach the bottom panel.



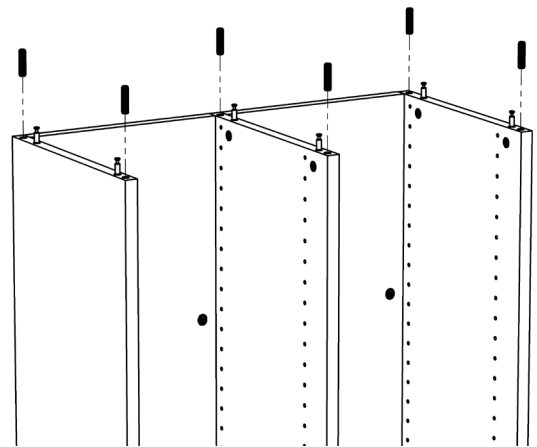
- 8.) Skip this step if you did not purchase casters. Attach optional casters using the pre-drilled holes. Be sure to lock casters before flipping cabinet back over.



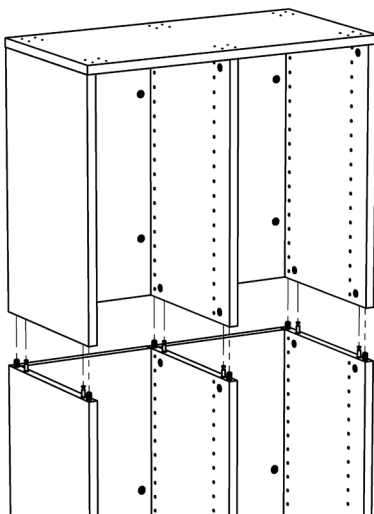
- 9.) After flipping the cabinet over insert Short Connector Bolts into the inside holes shown on the side and center panels.



- 10.) Insert Wood Dowels into the outside holes shown on the side and center panels.

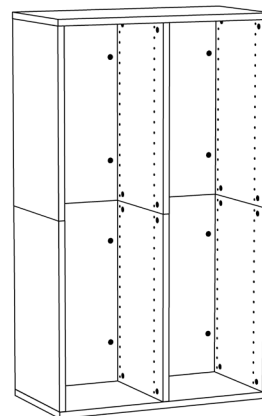


- 11.) With the help of an assistant, place the Double Add-On kit on top of the Cabinet base. Tighten all Cam Locks by turning clockwise.

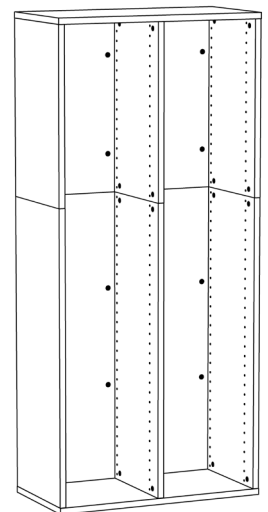


### COMPLETED CABINET

Please note: Drawer Rails are not required for the bottom drawer.



DOUBLE LARGE



DOUBLE EXTRA LARGE