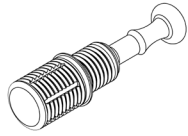




BEST CRAFT ORGANIZER

COUNTER HEIGHT STORAGE CABINET - SINGLE



Quick-Fit Dowel (12)



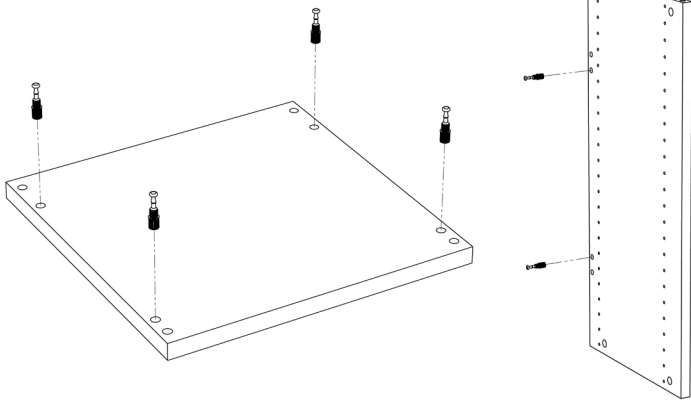
Wood Dowel (12)



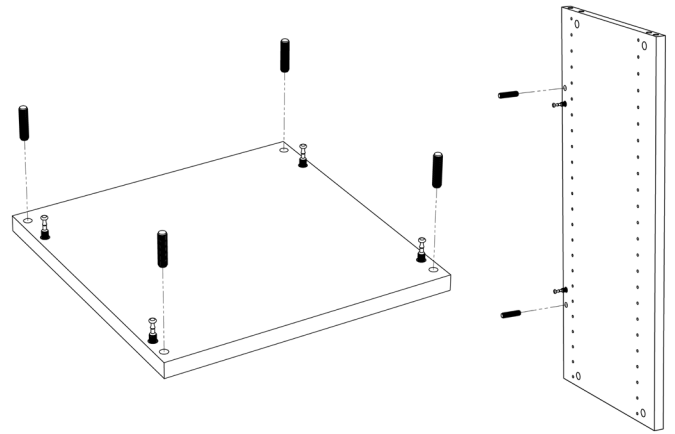
Cam Locks (12)

You will need: Phillips Screwdriver

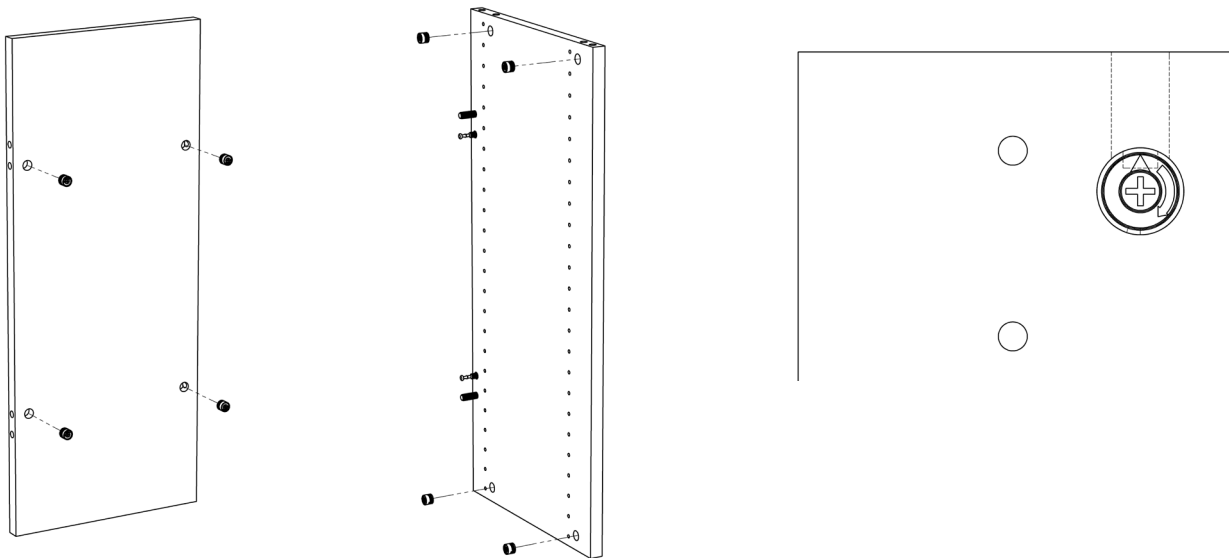
- 1.)** Insert the Quick-Fit Dowels into the inside holes shown on the top, bottom (with small pre-drilled holes), and side panels.



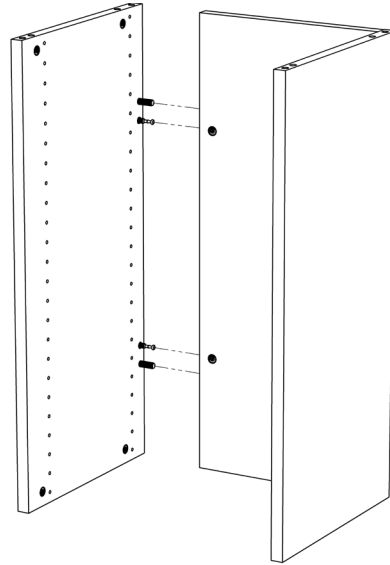
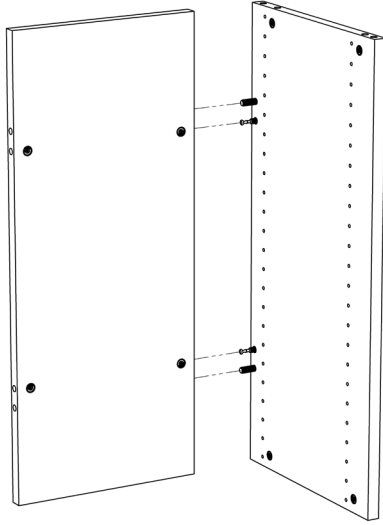
- 2.)** Insert the Wood Dowels into the outside holes shown on the top, bottom, and side panels.



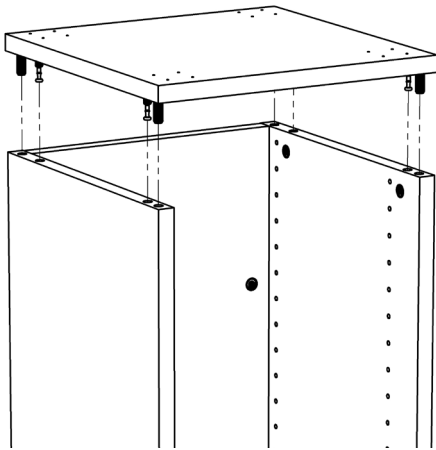
- 3.)** Insert the cam locks into the larger holes on the back and side panels. Make sure the arrow on the cam lock is pointing towards pre-drilled hole in edge of panel.



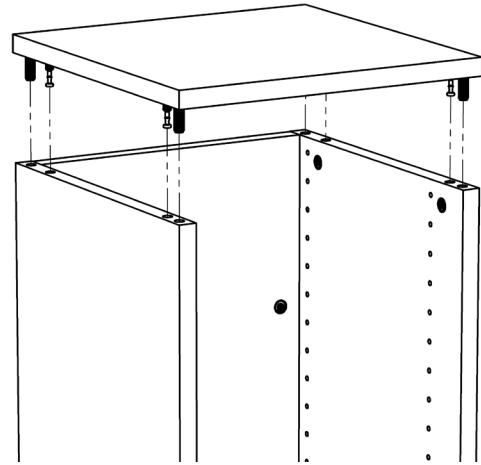
- 4.) Lay the back panel on the floor with the cam locks facing up. Attach both side panels to the back panel by sliding the Quick-Fit Dowels into the pre-drilled holes on the edge of the back panel. Tighten the cam locks by turning clock wise.



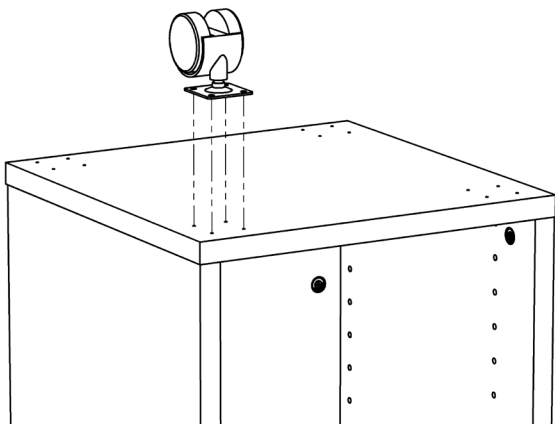
- 5.) Attach the top panel, tightening the Cam Locks in the same manner.



- 6.) Flip the cabinet over and attach the bottom panel.



- 7.) Skip this step if you did not purchase Casters. Attach optional Casters using the pre-drilled holes. When finished, be sure to lock casters before flipping the Cabinet back over.



COMPLETED CABINET

Please note: Drawer Rails are not required for the bottom drawer.

