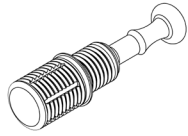




BEST CRAFT ORGANIZER

SMALL CABINET FOR BEAD STORAGE SOLUTIONS



Quick-Fit Dowel (12)



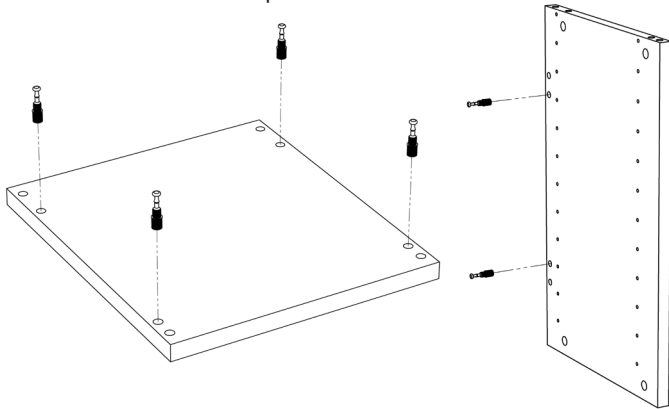
Wood Dowel (12)



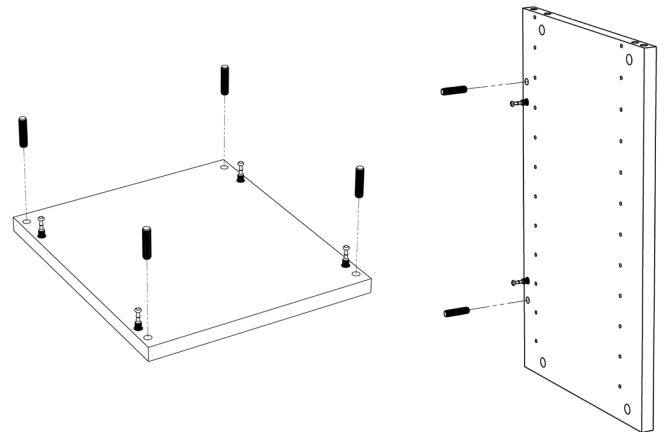
Cam Locks (12)

You will need: Phillips Screwdriver

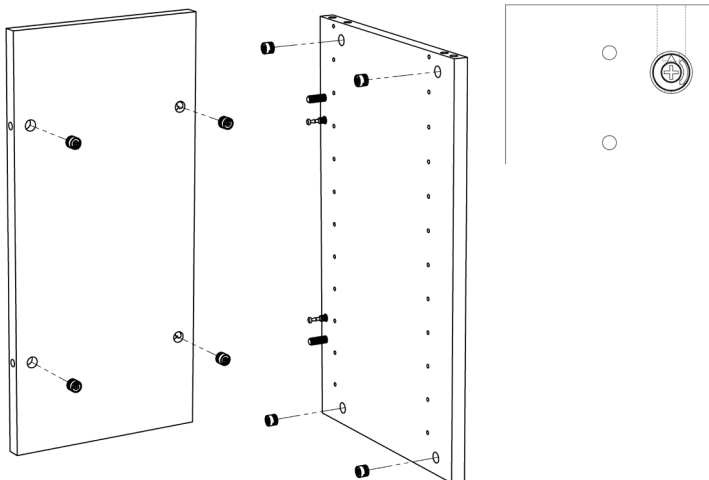
- 1.)** Insert the Quick-Fit Dowels into the inside holes shown on the top, bottom (with small pilot holes), and side panels.



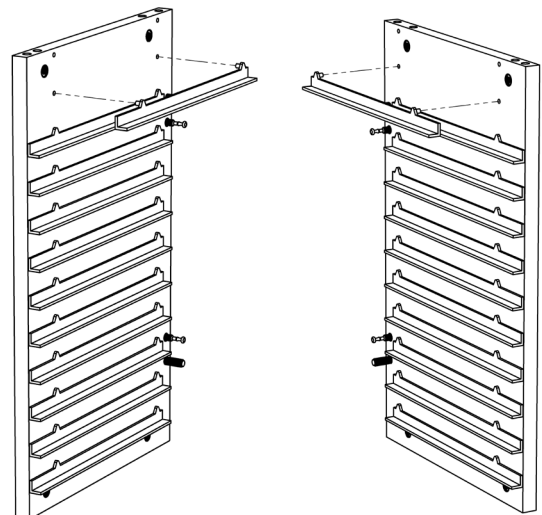
- 2.)** Insert the Wood Dowels into the outside holes shown on the top, bottom, and side panels.



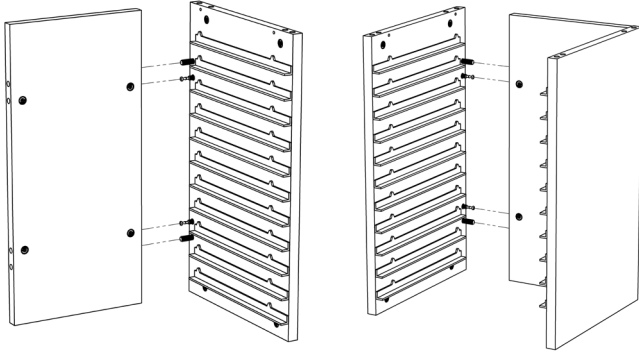
- 3.)** Insert the Cam Locks into the larger holes on the back and side panels. Make sure the arrow on the Cam Lock is pointing towards pre-drilled hole in edge of panel.



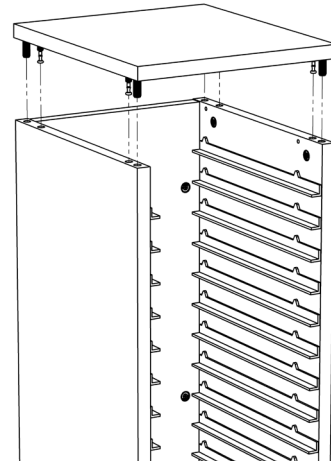
- 4.)** Attach Rails to left and right side panels, saving the top Rail for a later step.



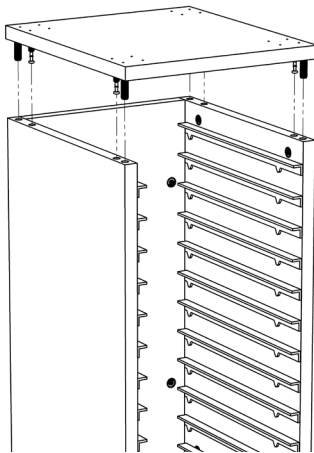
- 5.) Lay the back panel on the floor with the Cam Locks facing up. Attach both side panels to the back panel by sliding the Quick-Fit Dowels into the pre-drilled holes on the edge of the back panel. Tighten the Cam Locks by turning clock wise.



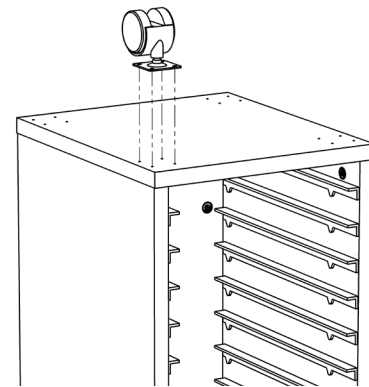
- 6.) Attach the top panel, tightening the Cam Locks in the same manner. Ensure that Rails match the orientation shown below.



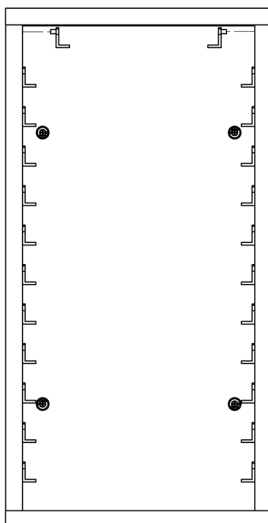
- 7.) Flip the cabinet over and attach the bottom panel.



- 8.) Skip this step if you did not purchase Casters. Attach optional Casters using the pre-drilled holes. Be sure to lock Casters before flipping cabinet back over.



- 9.) Attach the final set of Rails to the sides in the top holes.



COMPLETED CABINET

