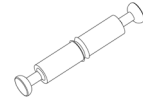
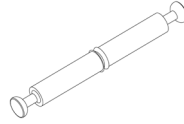




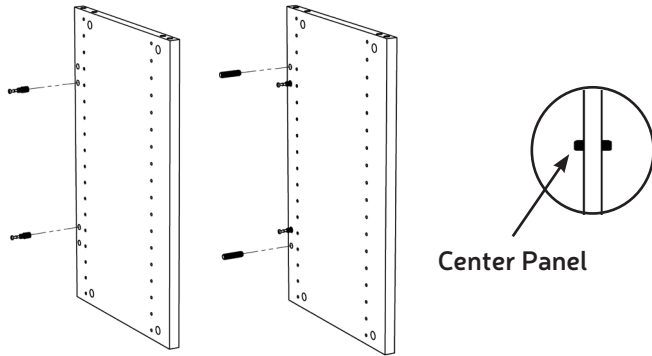
## BEST CRAFT ORGANIZER

### TRIPLE ADD-ON STORAGE CABINET

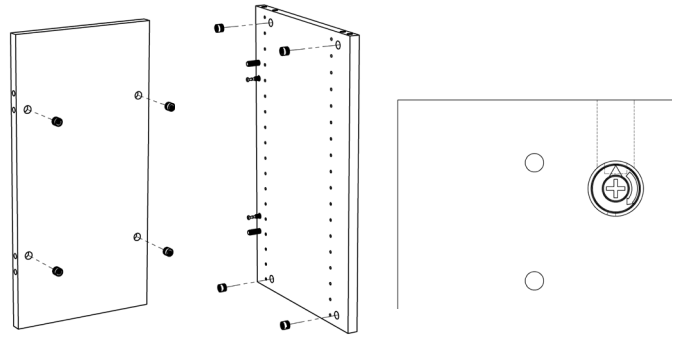


Quick-Fit Dowel (4) Wood Dowel (16) Cam Locks (28) Long Connector Bolt (4) Short Connector Bolt (8)  
You will need: Phillips Screwdriver & Small Hammer

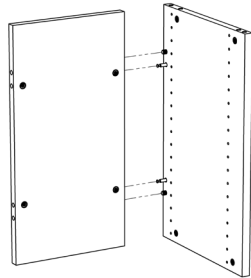
- 1.) Tap the Quick-Fit Dowels into the inside holes shown on the side panels. NOTE: Do NOT install Quick-Fit Dowels to center panel (holes drilled all the way through). Next insert the Wood Dowels into the outside holes of the side and center panels.



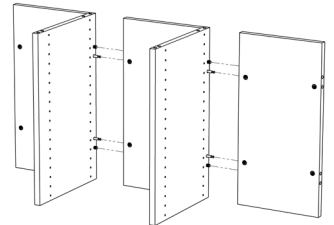
- 2.) Push the cam locks into the larger holes on the back, side, and center panels. Make sure the arrow on the Cam Lock is pointing towards pre-drilled hole in edge of panel.



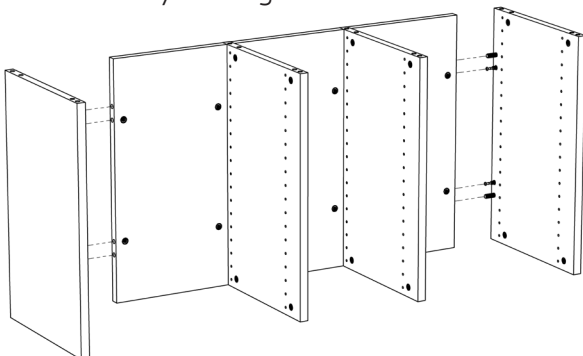
- 3.) Lay one of the back panels on the floor with the Cam Locks facing up. Insert the Long Connector Bolts. Slide center panel over Long Connector Bolts.



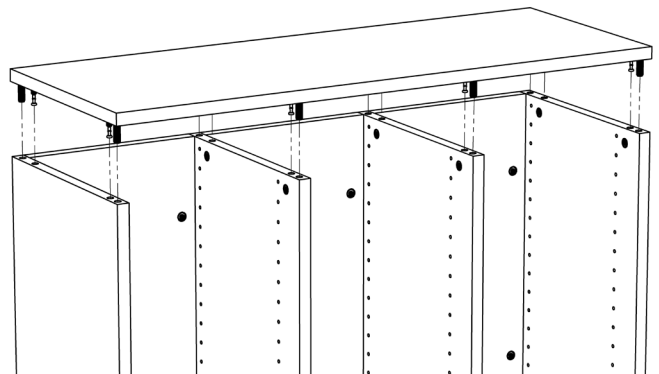
- 4.) Slide another back panel over the exposed ends of the Long Connector Bolts. Tighten all four Cam Locks by turning clockwise. Repeat this step with the remaining center and back panels.



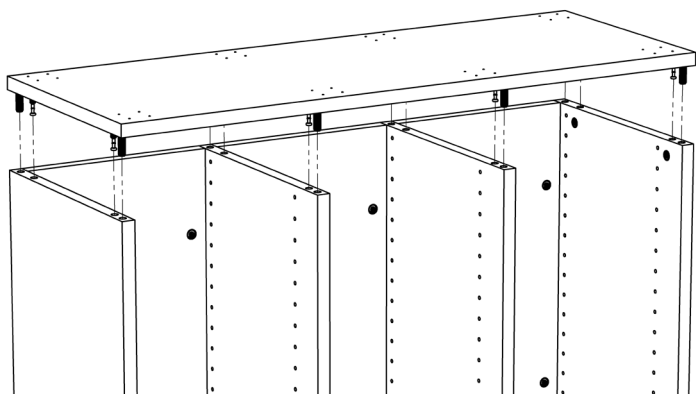
- 5.) Attach both side panels to this assembly by sliding the Quick-Fit Dowels into the pre-drilled holes on the edge of the back panel. Tighten the Cam Locks by turning clockwise.



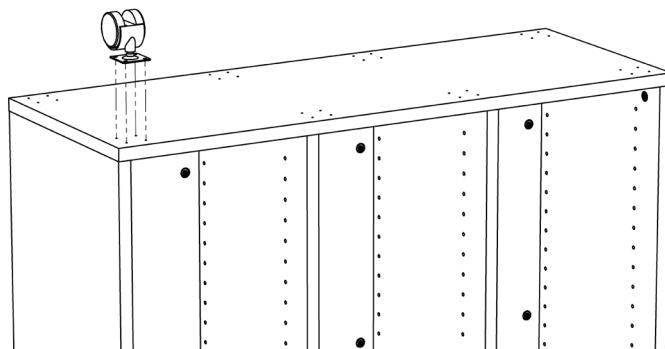
- 6.) Attach the top panel from your main Triple Cabinet kit, tightening the Cam Locks in the same manner.



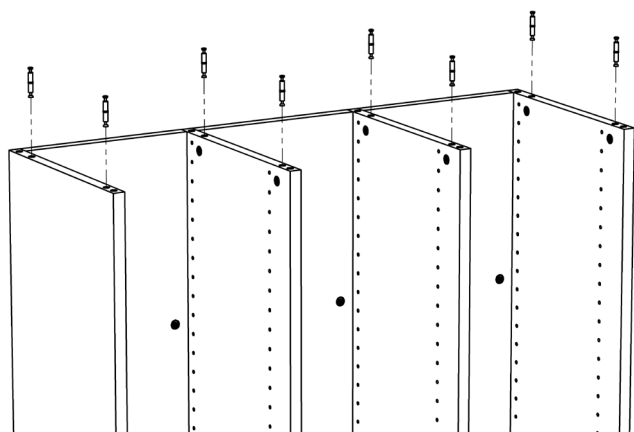
- 7.) Returning to the assembly from your Triple Cabinet kit, attach the bottom panel.



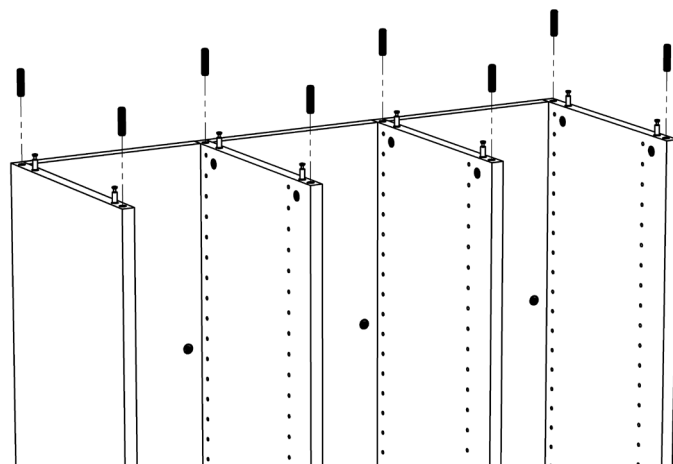
- 8.) Skip this step if you did not purchase casters. Attach optional Casters using the pre-drilled holes. Be sure to lock Casters before flipping cabinet back over.



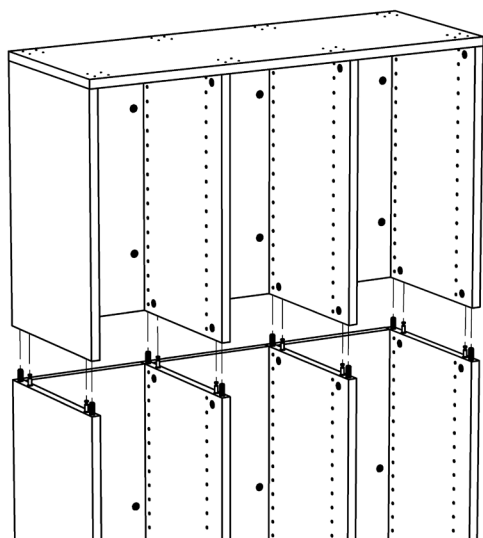
- 9.) After flipping the cabinet over insert Short Connector Bolts into the inside holes shown on the side and center panels.



- 10.) Insert Wood Dowels into the outside holes shown on the side and center panels.

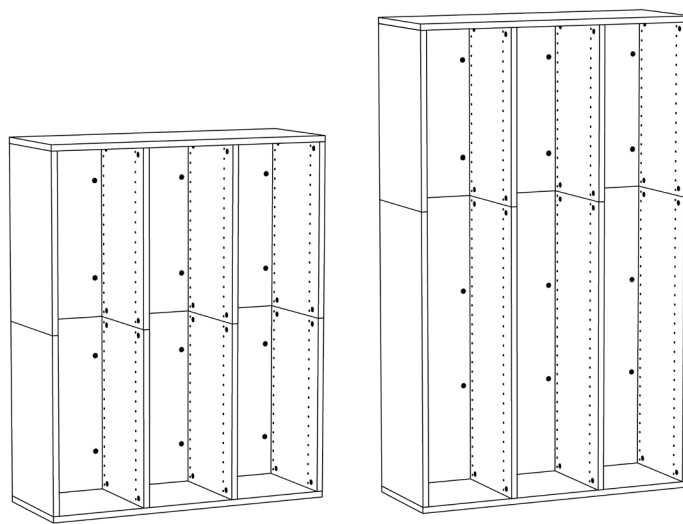


- 11.) With the help of an assistant, place the Triple Add-On kit on top of the Cabinet base. Tighten all Cam Locks by turning clockwise.



### COMPLETED CABINET

Please note: Drawer Rails are not required for the bottom drawer.



TRIPLE LARGE

TRIPLE EXTRA LARGE